

# Technical Data Sheet

## Classic '30 Series' Control Gear Components (Ø30.5)

### General Description

The '30 Series' was developed primarily to augment the increasing rail project work that Craig & Derricott has built up over the past 25 years. To become an accepted component for rolling stock use, requires a reputation for quality, strength, and above all, reliability. Written approval comes on the back of shock & vibration tests to IEC 61373:1999 specifications.

As a design criteria, all actuator & indicator components exhibit a low projection profile, and are produced using high pressure die-castings in Mazak (zinc alloy). The front and rear components are assembled using a bayonet action with a secure locking feature.


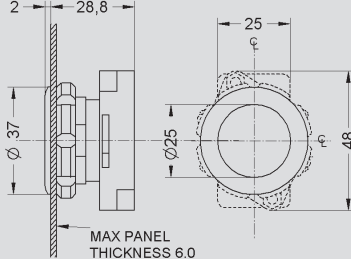

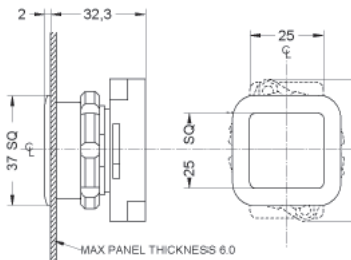
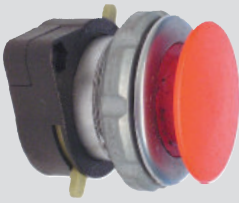
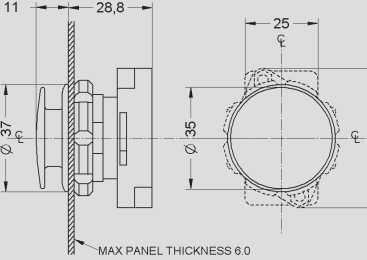

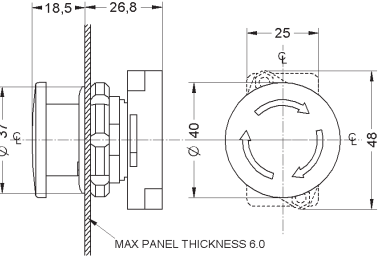
The front bezels are finished in a satin chrome effect which complements most control panel assemblies.

The associated contact blocks carry international approvals, and can be stacked up to three blocks on the rear of each actuator.



### Ingress Protection - IP65


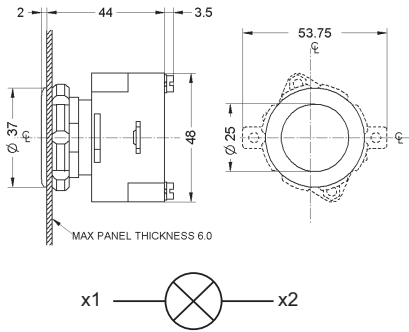

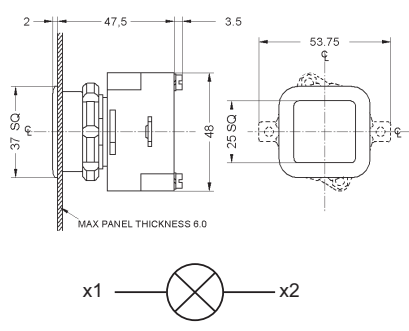
### Actuator Components

Image	Dimensions	Description	Catalogue No
		Actuators Momentary Round ( Non Illuminated)  Black Green Red White Yellow Blue  <i>(Contact blocks - see pages 3/4)</i>	<b>N301B1</b> <b>N301G1</b> <b>N301R1</b> <b>N301W1</b> <b>N301Y1</b> <b>N301Z1</b>
		Actuators Momentary Square ( Non Illuminated)  Black Green Red White Yellow Blue  <i>Square panel cut-out. See page 4 for details.</i> <i>(Contact blocks - see pages 3/4)</i>	<b>N302B1</b> <b>N302G1</b> <b>N302R1</b> <b>N302W1</b> <b>N302Y1</b> <b>N302Z1</b>
		Actuators Mushroom - Spring Return  Black Green Red White Yellow Blue  <i>(Contact blocks - see pages 3/4)</i>	<b>N307B1</b> <b>N307G1</b> <b>N307R1</b> <b>N307W1</b> <b>N307Y1</b> <b>N307Z1</b>
		Actuators Mushroom - Stayput Twist-to-Reset  Black Red  <i>(Contact blocks - see pages 3/4)</i>	<b>N308B1</b> <b>N308R1</b>


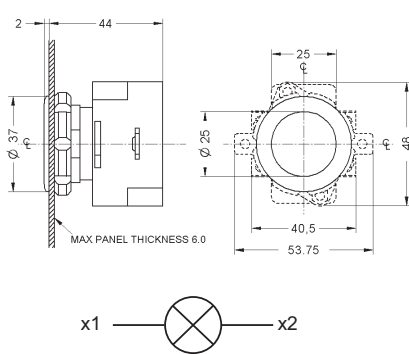
# Technical Data Sheet

## Classic '30 Series' Control Gear Components (Ø30.5)

### Indicator Lamps

Image	Dimensions	Description	Catalogue No
	 <p>2 44 3.5 53.75 48 37 25 30</p> <p>MAX PANEL THICKNESS 6.0</p> <p>x1 — ⊗ — x2</p>	<b>Indicator Lamp - Round</b> Supplied with 24V a.c. LED and appropriate lens.  Green Red White Yellow Blue	<b>N303G1</b> <b>N303R1</b> <b>N303W1</b> <b>N303Y1</b> <b>N303Z1</b>
		<b>Indicator Lamp - Round</b> Supplied with 110V a.c. LED and appropriate lens.  Green Red White Yellow Blue	<b>N305G1</b> <b>N305R1</b> <b>N305W1</b> <b>N305Y1</b> <b>N305Z1</b>
	 <p>2 47.5 3.5 53.75 48 37 25 30</p> <p>MAX PANEL THICKNESS 6.0</p> <p>x1 — ⊗ — x2</p>	<b>Indicator Lamp - Square</b> Supplied with 24V a.c. LED and appropriate lens.  Green Red White Yellow Blue  <i>Square panel cut-out. See page 4 for details.</i>	<b>N304G1</b> <b>N304R1</b> <b>N304W1</b> <b>N304Y1</b> <b>N304Z1</b>
		<b>Indicator Lamp - Square</b> Supplied with 110V a.c. LED and appropriate lens.  Green Red White Yellow Blue  <i>Square panel cut-out. See page 4 for details.</i>	<b>N306G1</b> <b>N306R1</b> <b>N306W1</b> <b>N306Y1</b> <b>N306Z1</b>

### Illuminated Pushbuttons

Image	Dimensions	Description	Catalogue No
	 <p>2 44 25 48 37 25 30</p> <p>MAX PANEL THICKNESS 6.0</p> <p>x1 — ⊗ — x2</p>	<b>Illuminated Pushbutton - Round</b> Supplied with 24V a.c. LED and appropriate lens.  Green Red White Yellow Blue  <i>(Contact blocks - see pages 3/4)</i>	<b>N3011G1</b> <b>N3011R1</b> <b>N3011W1</b> <b>N3011Y1</b> <b>N3011Z1</b>
		<b>Illuminated Pushbutton - Round</b> Supplied with 110V a.c. LED and appropriate lens.  Green Red White Yellow Blue  <i>(Contact blocks - see pages 3/4)</i>	<b>N3012G1</b> <b>N3012R1</b> <b>N3012W1</b> <b>N3012Y1</b> <b>N3012Z1</b>

# Technical Data Sheet

## Classic '30 Series' Control Gear Components (Ø30.5)

### Illuminated Pushbuttons Contd.

Image	Dimensions	Description	Catalogue No
	<p style="text-align: center;">x1  x2</p> <p style="color: red; font-size: small;">Square panel cut-out. See page 4 for details. (Contact blocks - see pages 3/4)</p>	<b>Illuminated Pushbutton - Square</b> Supplied with 24V a.c. LED and appropriate lens.	Green Red White Yellow Blue  <b>N3013G1</b> <b>N3013R1</b> <b>N3013W1</b> <b>N3013Y1</b> <b>N3013Z1</b>
		<b>Illuminated Pushbutton - Square</b> Supplied with 110V a.c. LED and appropriate lens.	Green Red White Yellow Blue  <b>N3014G1</b> <b>N3014R1</b> <b>N3014W1</b> <b>N3014Y1</b> <b>N3014Z1</b>
	<p style="text-align: center;">x1  x2</p> <p style="color: red; font-size: small;">(Contact blocks - see pages 3/4)</p>	<b>Illuminated Mushroom Pushbutton</b> Supplied with 24V a.c. LED and appropriate lens.	Green Red White Yellow Blue  <b>N3015G1</b> <b>N3015R1</b> <b>N3015W1</b> <b>N3015Y1</b> <b>N3014Z1</b>
		<b>Illuminated Mushroom Pushbutton</b> Supplied with 110V a.c. LED and appropriate lens.	Green Red White Yellow Blue  <b>N3016G1</b> <b>N3016R1</b> <b>N3016W1</b> <b>N3016Y1</b> <b>N3016Z1</b>

### Contact Blocks

#### Technical Data



#### Standards and approvals

Thermal rating ( $I_{the}$ )

Rated voltage ( $U_i$ )

Impulse voltage ( $U_{imp}$ )

Switching capacity

Mechanical life

Terminal size

Operating conditions

Temperature range

Altitude

BS EN 60947-5-1, CSA:- C22.2, UL508

10A

690V a.c. or d.c.

4 kV

AC15:- 6.0A at 120V, 4.0A at 240V, 2.0A at 440V, 1.5A at 660V

DC13:- 5.0A at 24V, 1.0A at 125V, 0.5A at 250V, 0.2A at 660V

Up to 10 x 10<sup>6</sup>

M3.5 with 'shell clamp'

Max 60°C at 95% RH

-17°C to +66°C




2000M

Image	Terminal Marking	Description	Catalogue No
		<b>Contact Blocks</b> 1 N/O + 1 N/C	<b>NCDT1</b>
		2 N/O	<b>NCDT2</b>
		2 N/C	<b>NCDT3</b>

# Technical Data Sheet

## Classic '30 Series' Control Gear Components (Ø30.5)

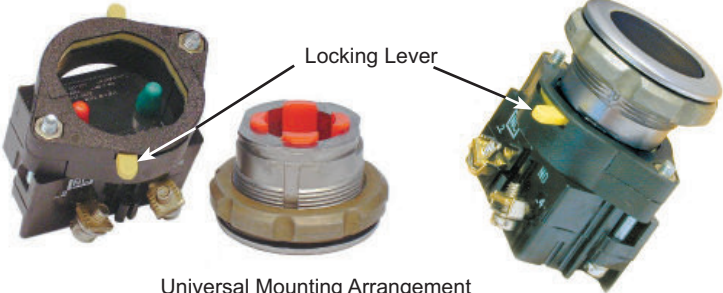
### Accessories

Image	Dimensions	Description	Catalogue No
		<b>Contact Block Terminal Cover</b>  For all contact blocks	<b>TBC 0089</b>
		<b>Component Tightening Tools - Sheet Steel</b>  Side access tool	<b>TBC 0307</b>
		Rear access tool	<b>TBC 0308</b>
		Locking clip release tool	<b>TBC 0361</b>
		<b>Knob Actuator for rotary switches</b>  Adaptor for use with 20A Minirotary switches. See rotary switch data sheets for further details.  <i>Cannot be sold separately. Add as prefix to switch reference e.g. N309B1/MY62/2. The full range of Minirotary sequences are available for use with this actuator.</i>	<b>N309B1...</b>

### Options to special order

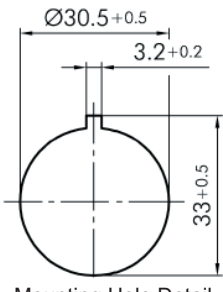
- Indicator Lamps - Alternative voltage bulbs  
LED's for d.c. applications
- \* Pushbutton - Textured buttons  
(Standard & Illuminated) 'Halo' effect actuators

Many other options are available in this range. If you need assistance in determining your precise requirements, please contact our technical sales staff who will be happy to assist.

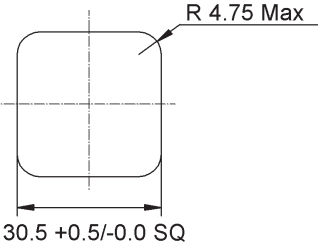


Universal Mounting Arrangement

#### Panel Cut-Outs



Mounting Hole Detail



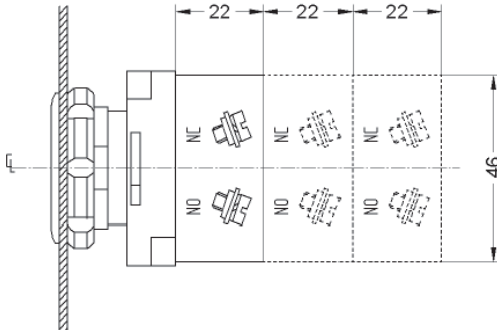
30.5 +0.5/-0.0 SQ

# Technical Data Sheet

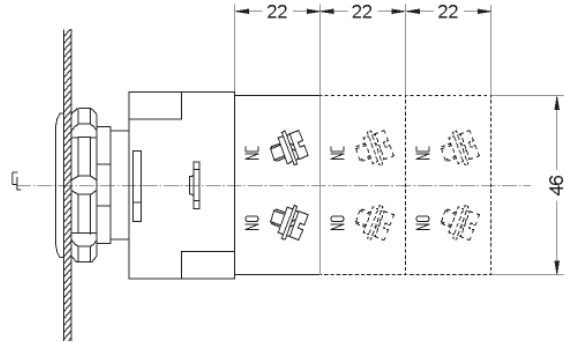
## Classic '30 Series' Control Gear Components (Ø30.5)

### Actuator with Contact Block Dimensions

All pushbutton actuators and illuminated pushbuttons can be fitted with either one, two or three contact blocks. These are simply screwed onto the back of the actuator assembly, each actuator being supplied with fixing screws to suit all arrangements.



Round/Square Pushbutton Assembly



Round/Square Illuminated Pushbutton Assembly